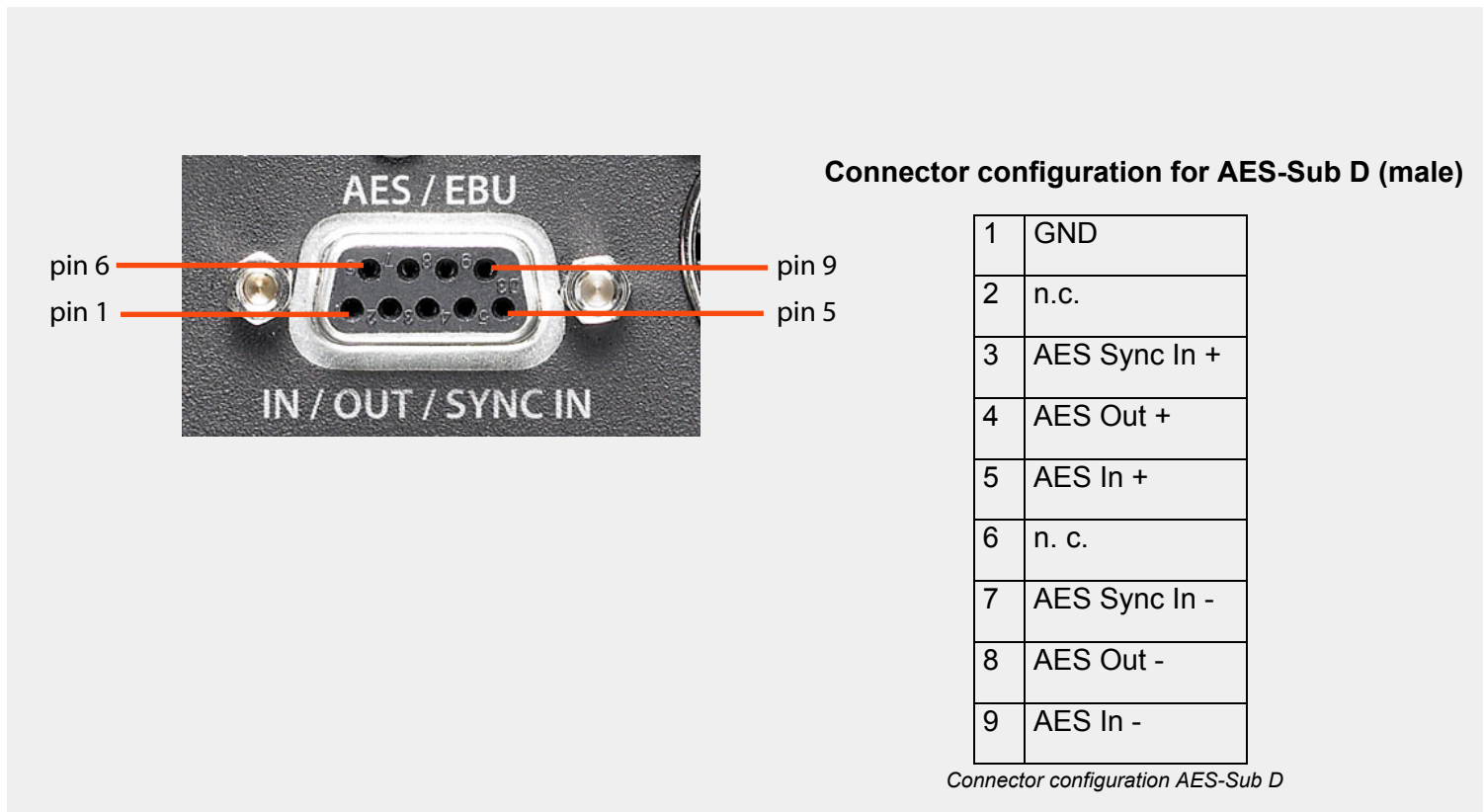


C11 AES/EBU Interface - Pin Layout



The photograph shows a 9-pin AES/EBU connector with labels 'AES / EBU' at the top and 'IN / OUT / SYNC IN' at the bottom. Red lines connect the following pins to their labels: pin 6 to the top-left pin, pin 1 to the bottom-left pin, pin 9 to the top-right pin, and pin 5 to the bottom-right pin.

Connector configuration for AES-Sub D (male)

1	GND
2	n.c.
3	AES Sync In +
4	AES Out +
5	AES In +
6	n. c.
7	AES Sync In -
8	AES Out -
9	AES In -

Connector configuration AES-Sub D

AES cable adapter Sub D - XLR

Connector configuration for AES-XLR-SYNC-IN (female)

1	GND
2	AES Sync In +
3	AES Sync In -

Connector configuration AES-XLR-SYNC-IN

Connector configuration for AES-XLR-IN (female)

1	GND
2	AES In +
3	AES In -

Connector configuration AES-XLR-IN

Connector configuration for AES-XLR-OUT (male)

1	GND
2	AES Out +
3	AES Out -

Connector configuration AES-XLR-OUT