

FUJIFILM

EBC FUJINON 1:3.5 f=80 mm

# GF670

Professional





# Film is.

Film, because it's a pleasure to shoot. Medium format, because it produces images with a quality all their own. All in a compact, high-performance folding camera for the photographer with a passion for excellence. It's the GF670 Professional, the one camera that lets you enjoy both 6x7cm and 6x6cm formats. From Fujifilm, where we're committed to our philosophy of preserving and nurturing the Culture of Photography.



## The GF670 Professional 6x7/6x6 dual-format folding camera Precision engineering to put you in touch with your photography

### Medium format for outstanding image quality

The generous film size of the 6x7cm and 6x6cm formats makes possible images of exceptional quality. Even at large print sizes, photos are sharp, detailed, and true to life.

Actual size



### Two formats in one camera

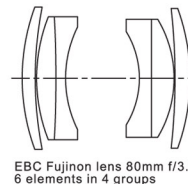
With the GF670 Professional, it's easy to change between 6x7cm and 6x6cm formats. A single switch changes both the bright line frame in the viewfinder and the film counter.



\*Format cannot be changed in mid-roll.

### High-resolution optics for sharp, natural photos

The Gauss-type EBC Fujinon lens employs six elements in four groups. State-of-the-art optical technology assures outstanding sharpness, contrast, and color balance for beautiful natural images.

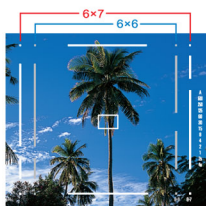


### Creativity with convenience: Aperture priority AE mode

The aperture priority AE mode makes creative control easy. Open up to a wider aperture for out-of-focus background effects, or stop down to bring everything into focus.

### Bright, clear rangefinder

Focusing is easy and precise thanks to the bright, clear double-image rangefinder. The viewfinder is parallax-corrected, and the display automatically changes with the film format selected.



### Precision metal construction you can feel

Built on a die-cast aluminum body with magnesium alloy components, the GF670 Professional combines solidity with light weight. You'll feel the quality of the construction and the materials with every frame you shoot.

### Slim, compact, and just 1000g

Despite its metal construction, the GF670 Professional weighs only 1000g\* and measures just 64mm thin when folded. Whether for weight-critical applications like mountain climbing or all-day comfort for snap shooting, its light weight and compact size open new horizons in medium-format photography. \*Excluding battery.



GF670 Professional

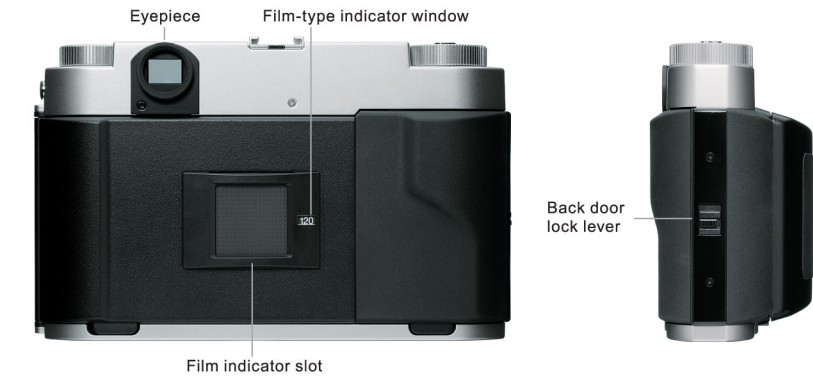
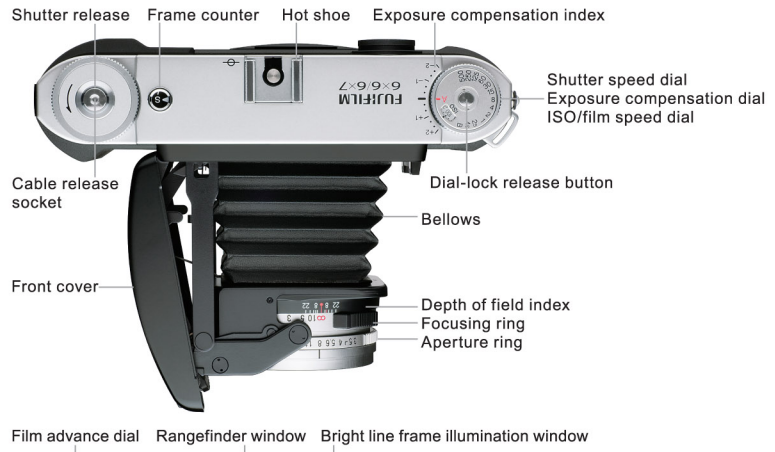




## GF670 Professional Technical Specifications

Type	6 x 7 type rangefinder folding camera
Film format	6 x 7 and 6 x 6 by selector switch 6 x 7 size: 56 x 69mm, 6 x 6 size: 56 x 56mm
Film	120 or 220 roll film 6 x 7 size: 120 – 10 shots; 220 – 20 shots 6 x 6 size: 120 – 12 shots; 220 – 24 shots
Lens	EBC Fujinon lens; 80mm 1:3.5 6 elements in 4 groups; F3.5 – F22 Angle of view: 6 x 7 size = 57° (35mm equivalent: 40mm) 6 x 6 size = 53° (35mm equivalent: 44mm)
Focusing	Manually controlled helicoid Focusing range 0.9m – infinity
Finder	Coincidence type rangefinder with bright frame Macro ratio: X 0.7 Base Length: 37.0mm (effective base Length: 25.9mm) Automatic parallax correction Viewfinder frame coverage: 88% at 3m Diopter correction: Correction with an eyepiece diopter lens (using a 19mm thread)
Indicators in viewfinder	LED Exposure indication ("A"(Aperture Priority Auto Mode) and Shutter speed) Battery consumption warning
Shutter	Electronically controlled lens shutter
Shutter speed	B. 4s - 1/500sec. (At F4 or faster: 1/250 sec. maximum)
Flash terminal	X synchronic contact and hot shoe synchronized with all shutter speed settings
Exposure control	Center weighted average metering Coupling range: EV0.5-18 (ISO100)
Exposure modes	Aperture priority AE, Manual exposure AE lock: press shutter release button halfway
Exposure compensation	+/-2 by 1/3 steps
Film speed	Manually set; ISO25 – 3200 by 1/3 steps
Film winding	Film advance dial
Film counter	Additive type with auto reset, automatically switched to 120 or 220 type synchronized with film type selector switch on film pressure plate
Others	Tripod socket, cable release socket, film indicator pocket, strap, lithium battery
Battery	Single CR2 lithium battery
Size	178mm x 109mm x 138 mm (open) or 64mm (closed)
Weight	1,000g (without battery)

\*Specifications and performance parameters are subject to change without notice.



## GF670 Accessories sold separately



### Lens Hood GF670

Minimizes flare caused by direct or peripheral light; can also be used with 40.5mm filter. One-touch attachment.



### Soft Case GF670

Supple leather case can be folded to fit in a pocket when not in use. Holds camera with strap attached.

## Expressive Imaging Solutions from Fujifilm

### FUJICHROME PROVIA 100F

Fujichrome Provia 100F delivers realistic, balanced reproduction of an almost endless variety of subjects with fine grain and superb sharpness. Reacts well to long exposures and is perfect for a wide range of photographic assignments.

- Ultra-fine grain (RMS 8)
- Mid-range color saturation and contrast



### FUJICHROME Velvia 100

Fujichrome Velvia 100 delivers vivid color and intense saturation, adding a distinctive element of photographic impact. Improved neutral tones and excellent push/pull characteristics expand the range of creative applications.

- Ultra-fine grain (RMS 8)
- Improved image stability



### FUJICOLOR PRO400H

The Fujicolor Pro Series represents generation of professional color negative films designed for ultimate compatibility in today's digital workflow.

- Improved color fidelity over a wide exposure latitude
- Superb skin tone reproduction and smooth gradation
- Faithful color reproduction under a variety of light sources



# FUJIFILM

FUJIFILM Corporation

7-3, AKASAKA 9-CHOME, MINATO-KU, TOKYO 107-0052, JAPAN